

Genie Products

Thermal Spray Torches and Replacement Parts

Thermal Spray Torches and Replacement Parts

Genie Products is a recognized leader in the production and supply of precision engineered replacement parts for the thermal spray industry. With a highly trained team of machinists, technicians, and support staff, we are committed to offering exceptional products that meet the demands of today's thermal spray technology. The Genie product line includes not only replacement parts and hoses and cables, but fully assembled torches as well. Our large inventory allows us to offer quick turnaround times, getting your operation back up and running, often within 24 hours.

Quality, innovation and customer satisfaction are priorities at Genie Products. Achievement of ISO 9001:2008 registration marks our commitment to continuous improvement in all process areas.

The entire Genie Products' team is dedicated to serving our customers worldwide. Our customer service associates are available to assist with order inquiries or questions regarding any of our products or services.

The team at Genie products looks forward to working with you.

Location:

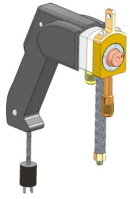
**283 Old Rosman Highway
Brevard, NC 28712
USA**

Phone: 828-862-4772

Fax: 828-877-3480

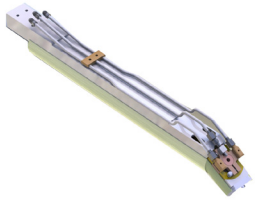
www.praxairsurfacetechologies.com

Plasma and HVOF Torches



Model GP3 HH

Exploded view page 6



Model G3T - 30 Deg

Exploded view page 7



Model GP3T - 90 Deg

Exploded view page 8



Model GP7 HH

Exploded view page 9



Model GP7MM

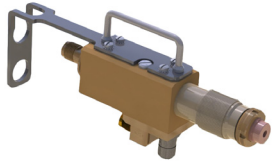
Exploded view page 10



Model GP9 HH

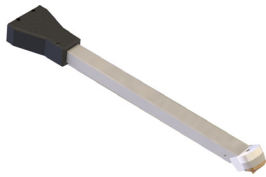
Exploded view page 11

Plasma and HVOF Torches



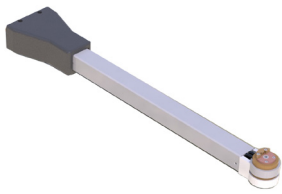
Model GP9 MM

Exploded view page 12



Model GP1 - 45 Deg

Exploded view page 13



Model GP1 - 90 Deg

Exploded view page 14



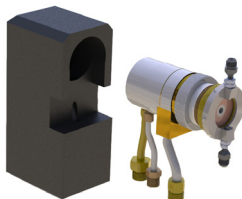
Model GPF4 MB

Exploded view page 15



Model GPF4 HB

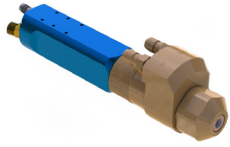
Exploded view page 16



Model GPF4 HBS

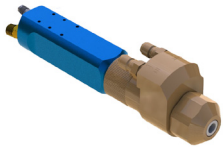
Exploded view page 17

Plasma and HVOF Torches



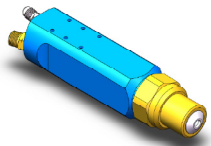
Model DJ 2600

Exploded view page 18



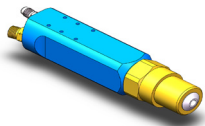
Model DJ 2700

Exploded view page 19



Model DJ Gun 8A

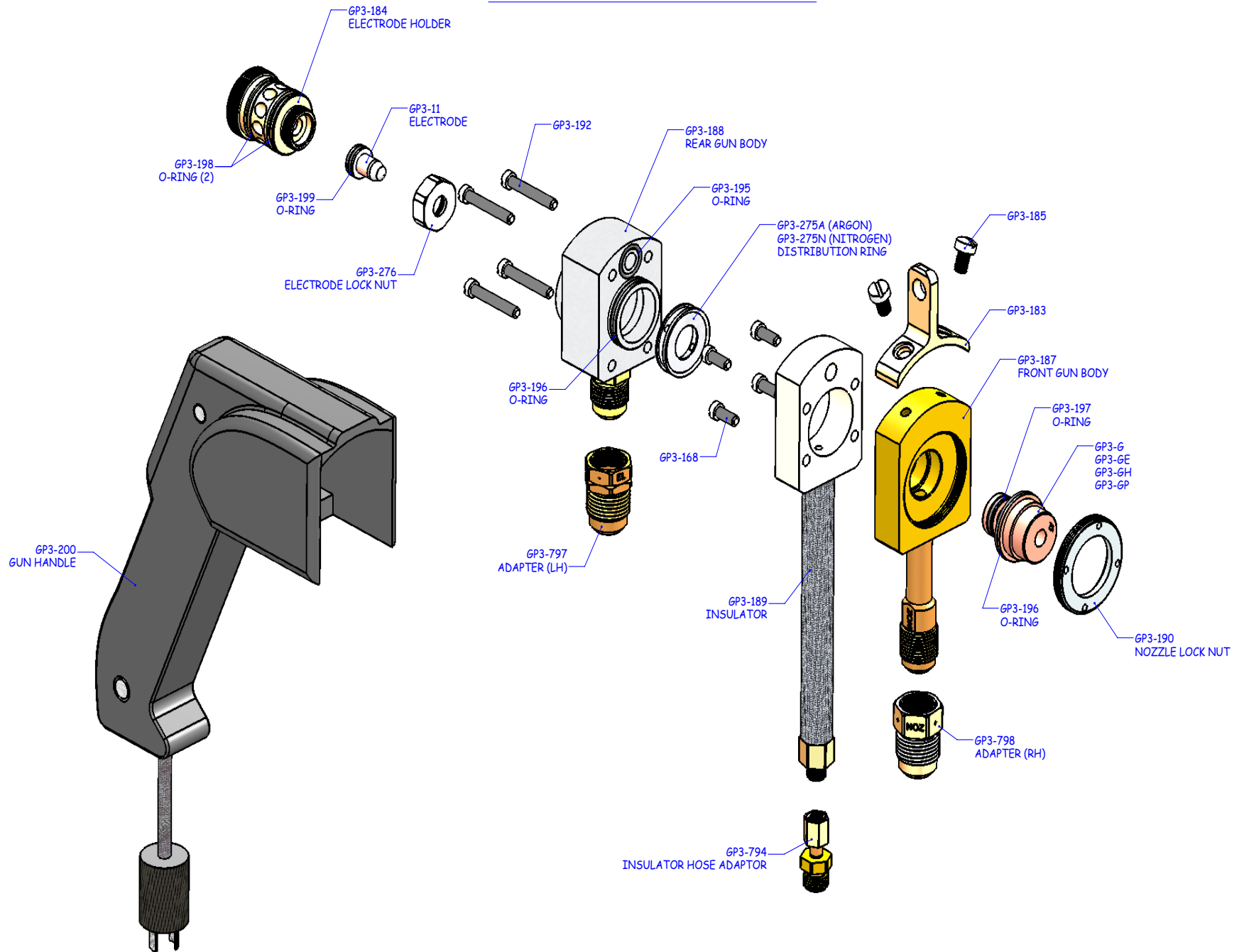
Exploded view page 20



Model DJ Gun 9A

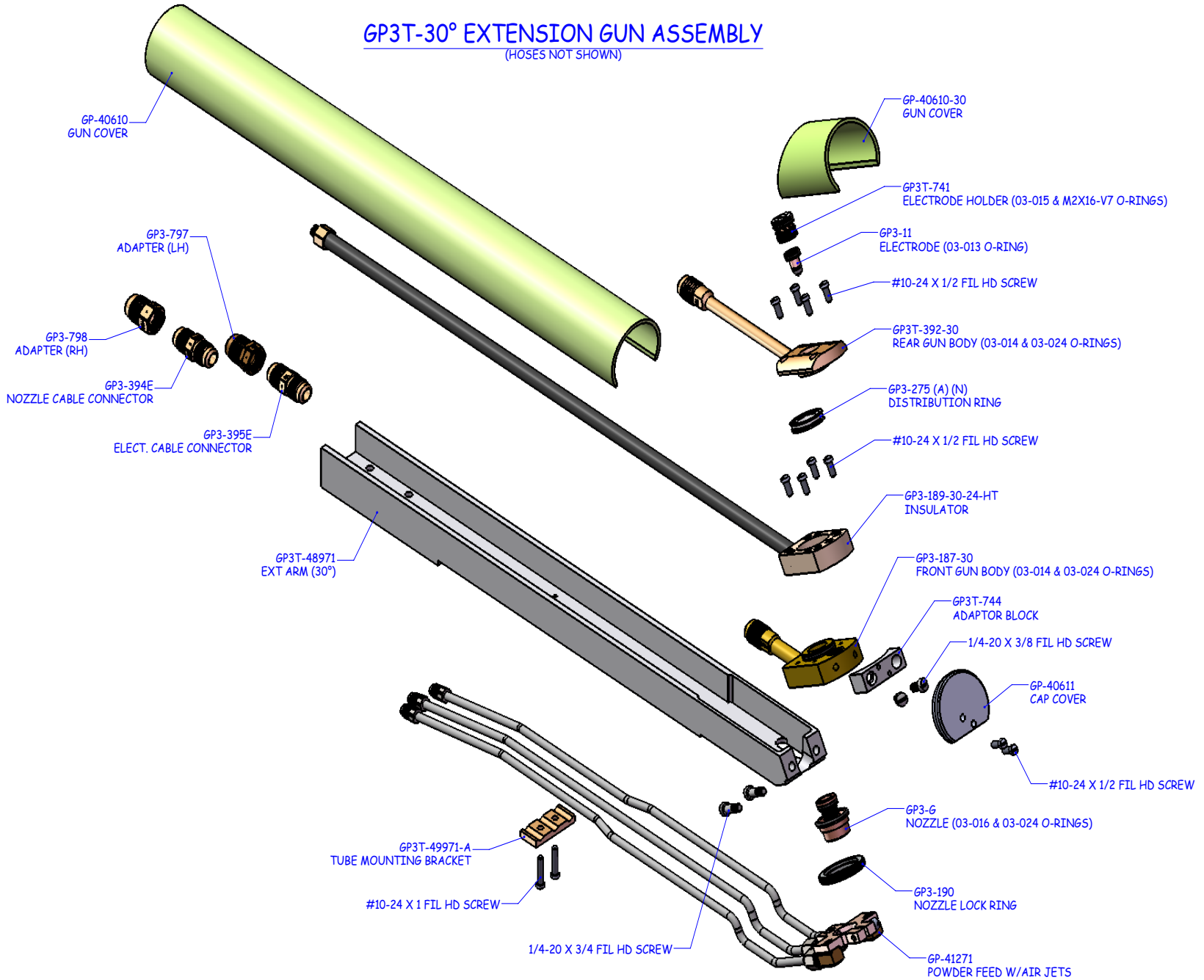
Exploded view page 21

GP3-HAND HELD GUN ASSEMBLY

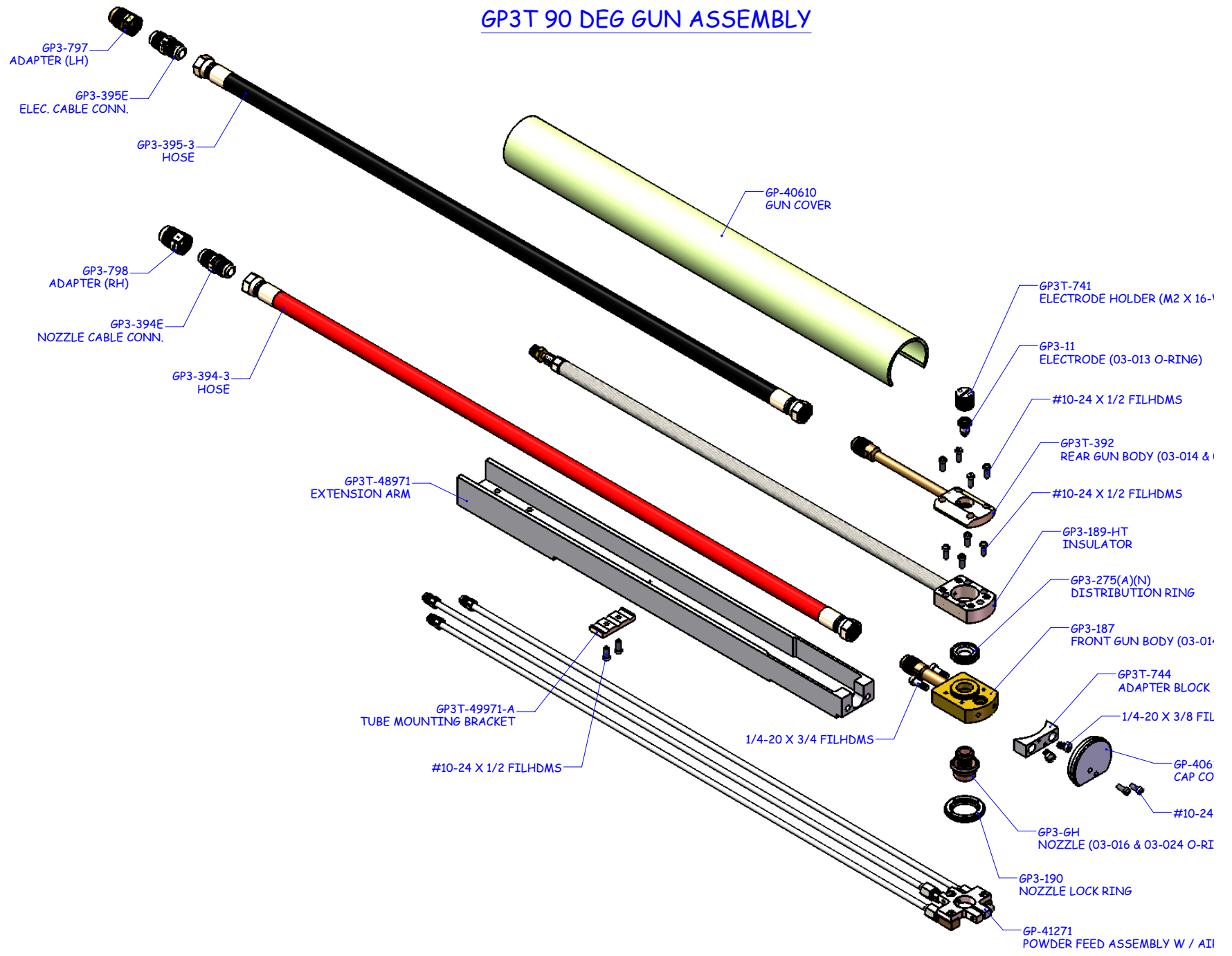


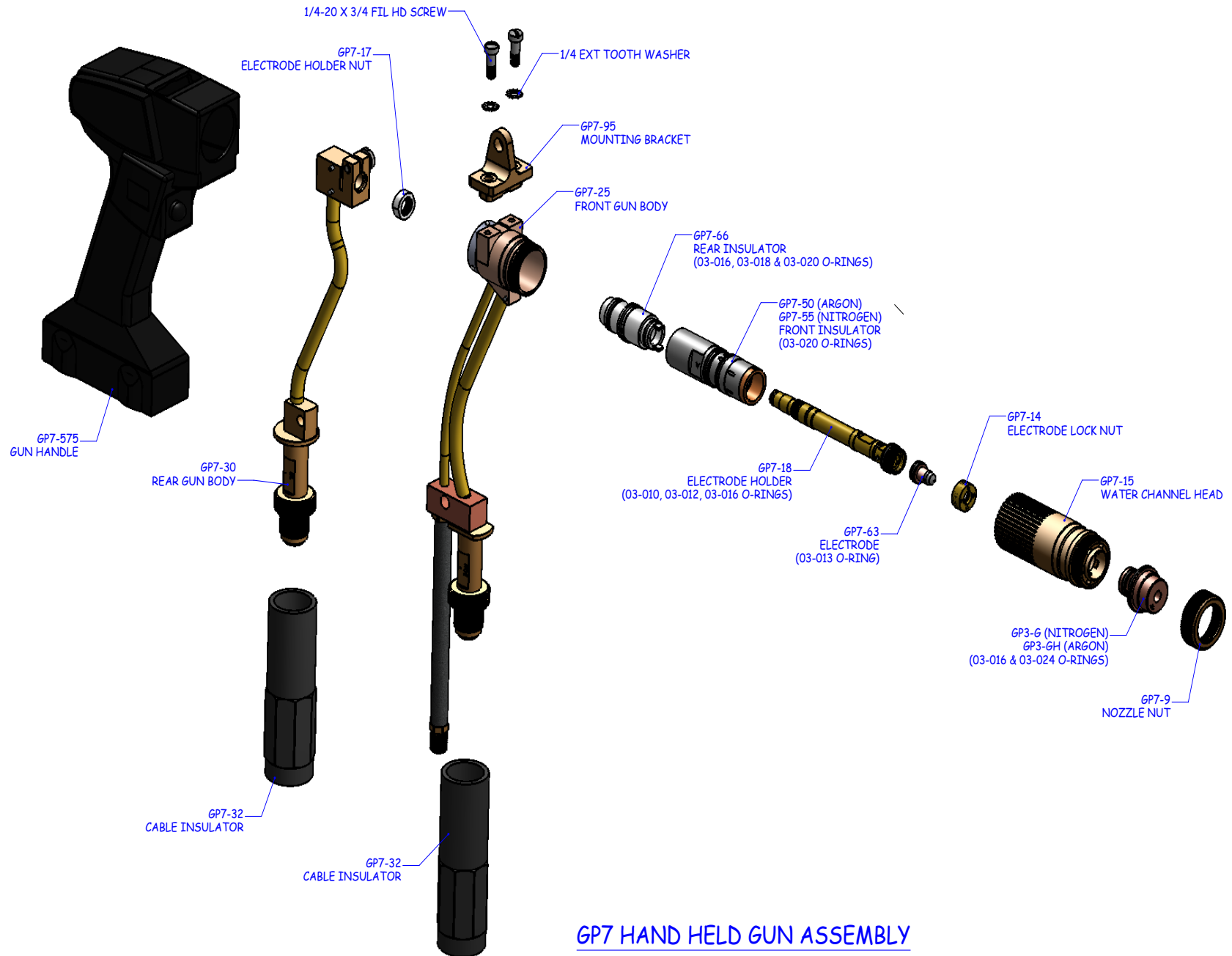
GP3T-30° EXTENSION GUN ASSEMBLY

(HOSES NOT SHOWN)



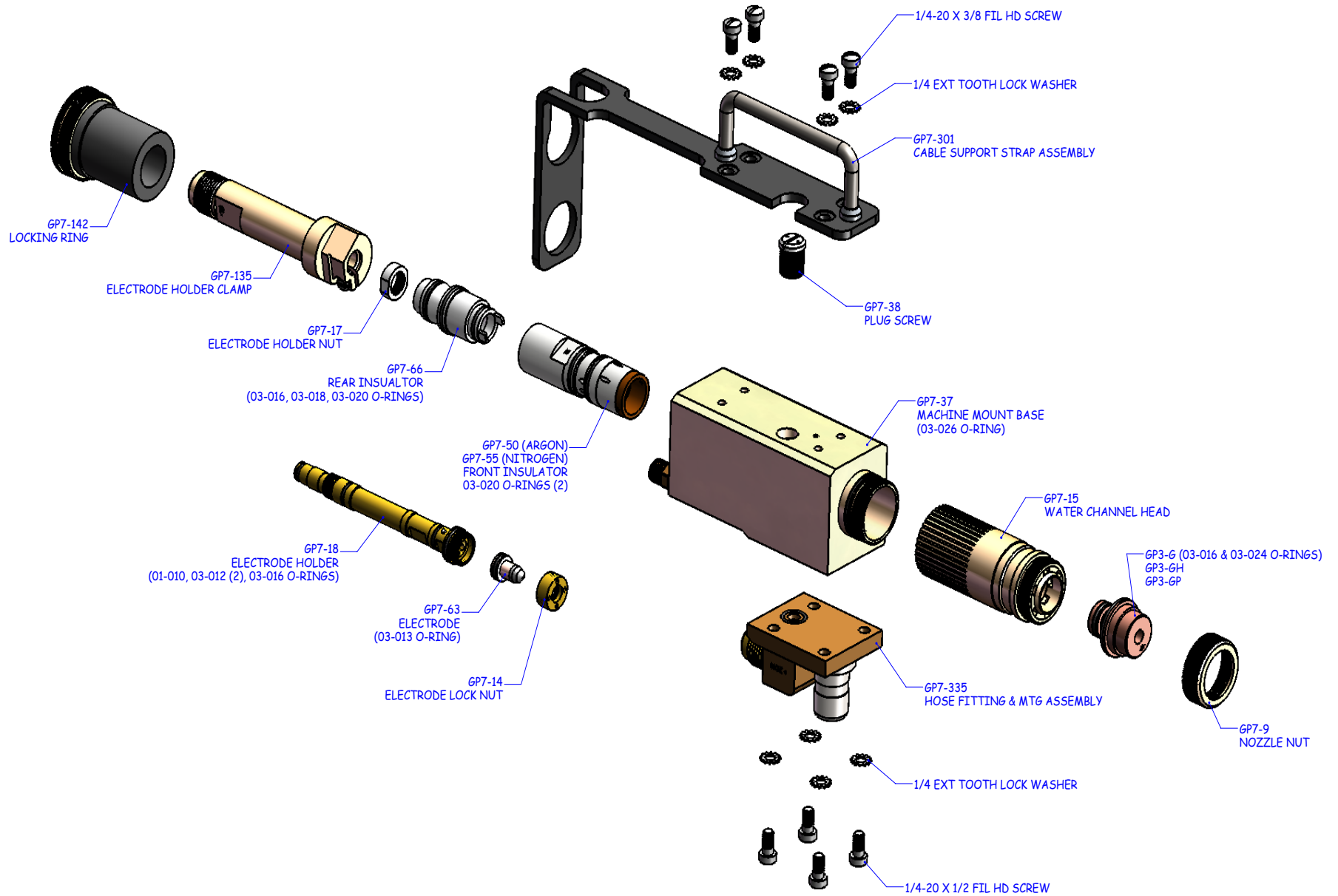
GP3T 90 DEG GUN ASSEMBLY



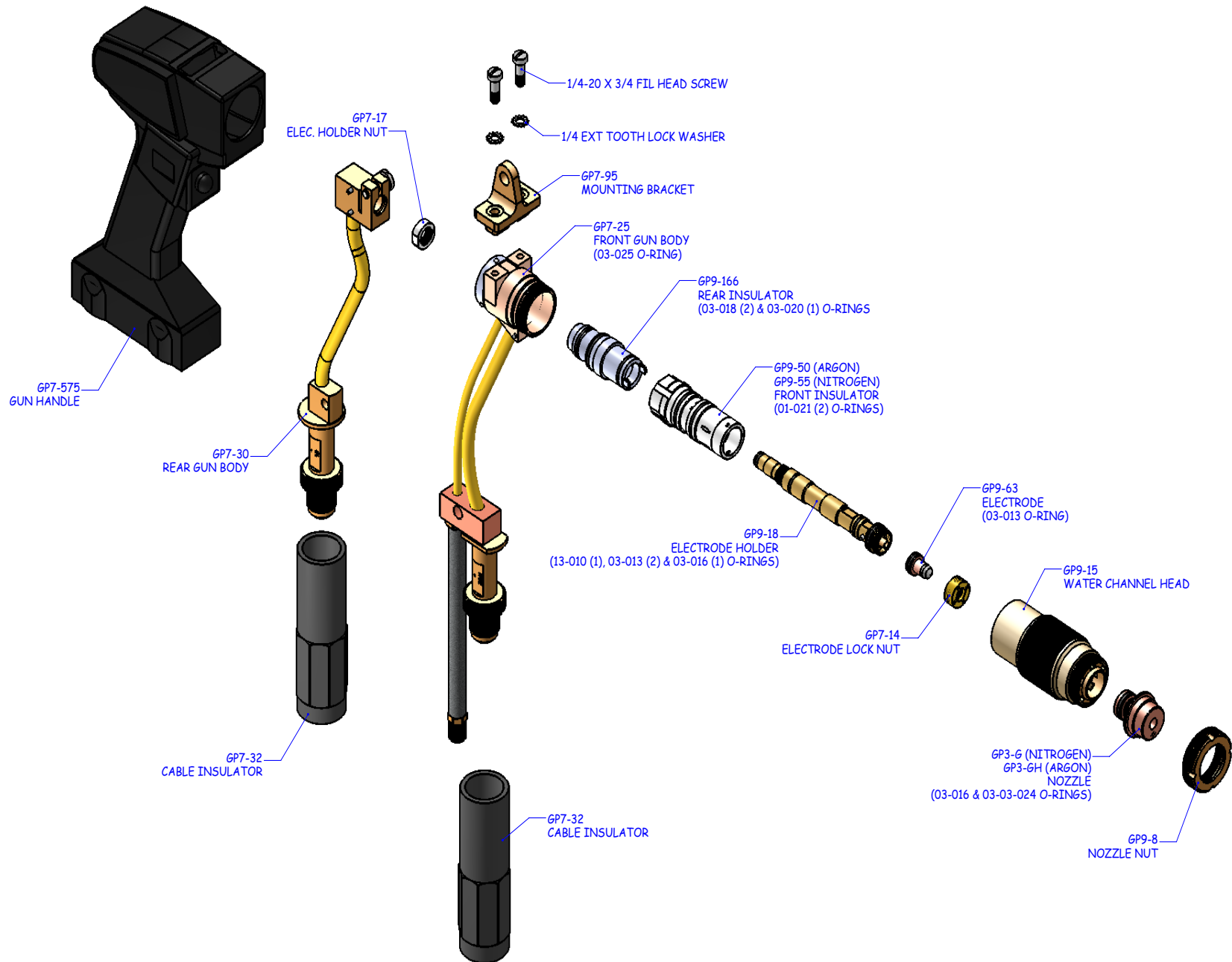


GP7 HAND HELD GUN ASSEMBLY

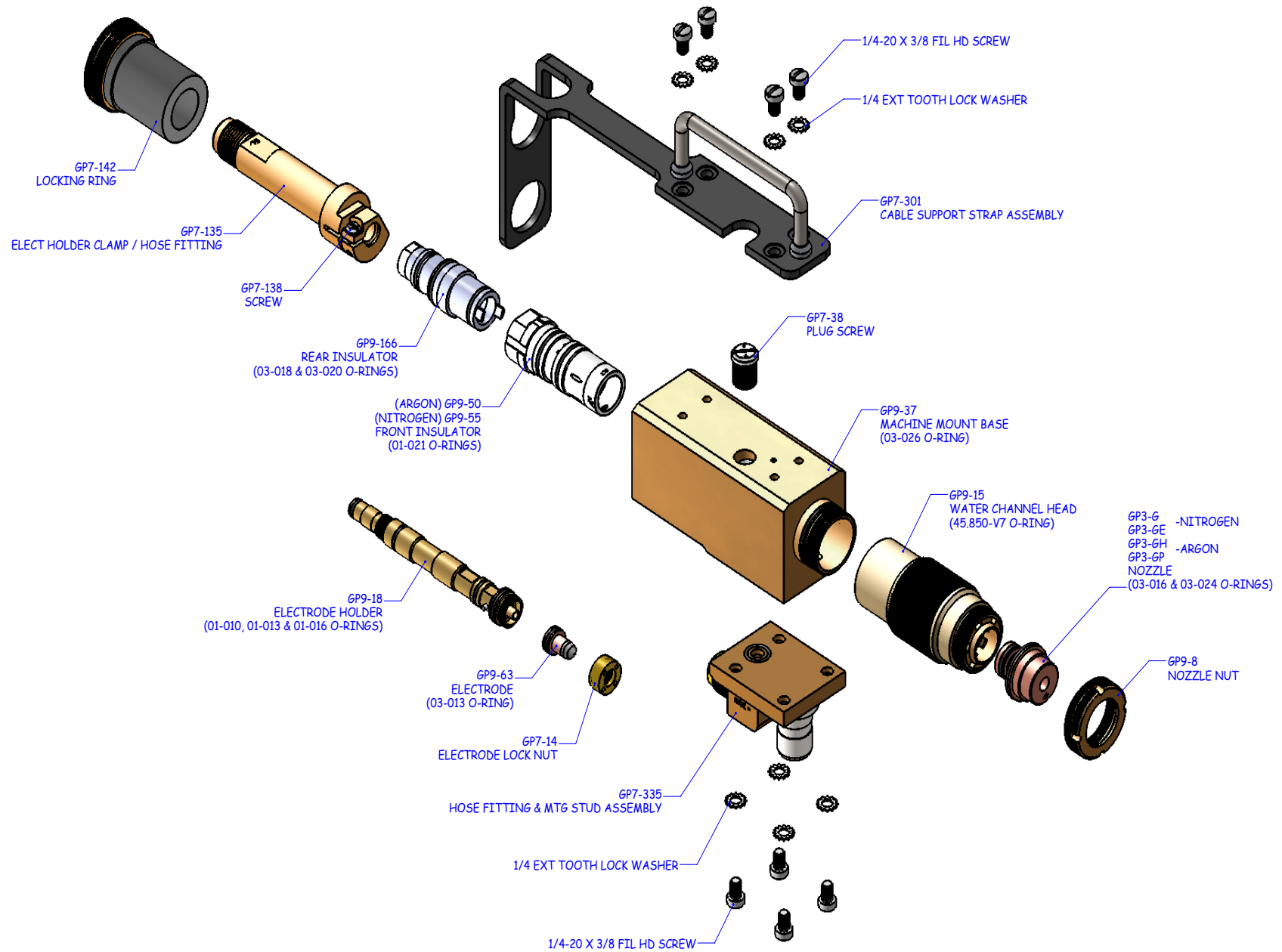
GP7-MACHINE MOUNT GUN ASSEMBLY



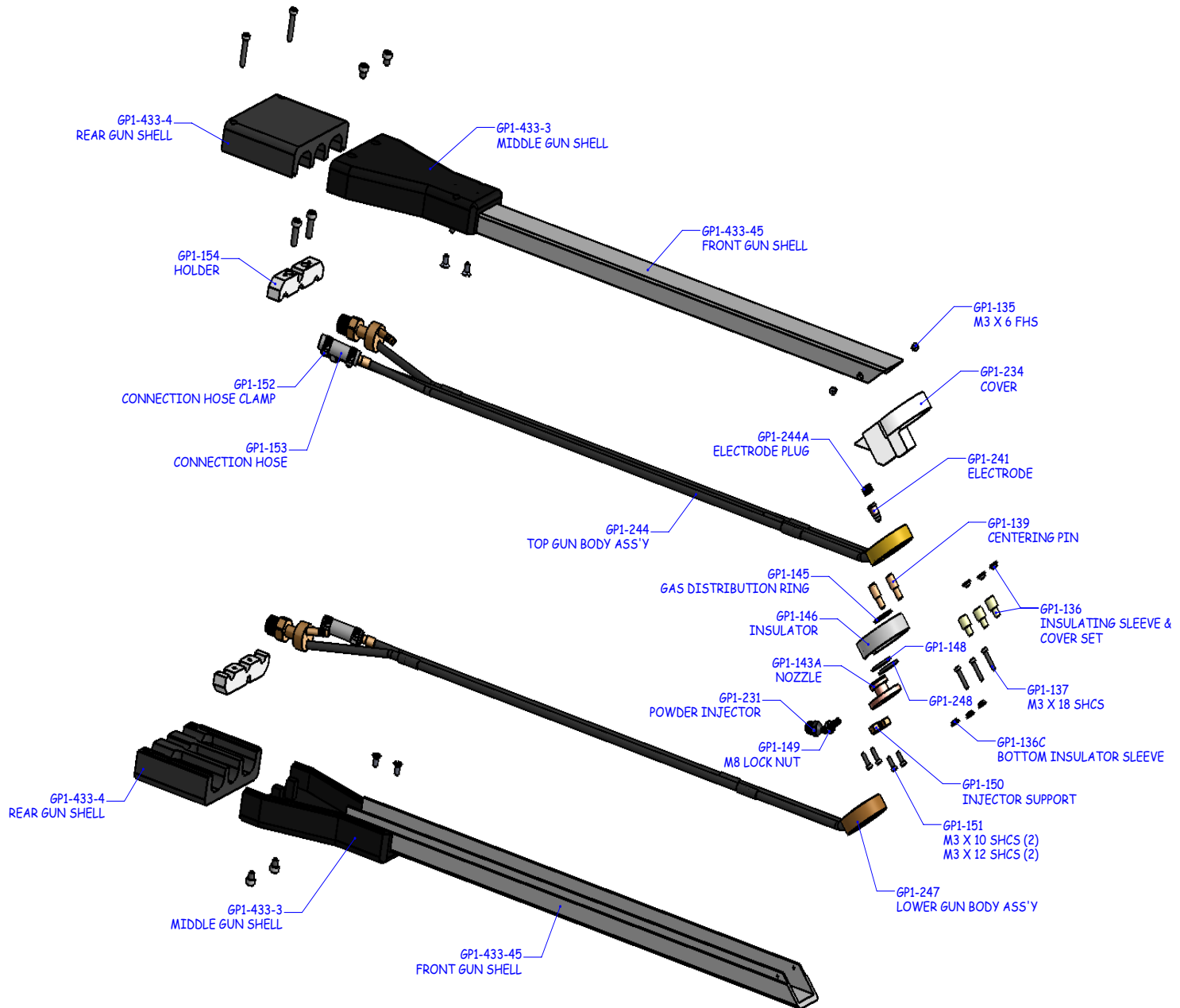
GP9 HAND HELD GUN ASSEMBLY



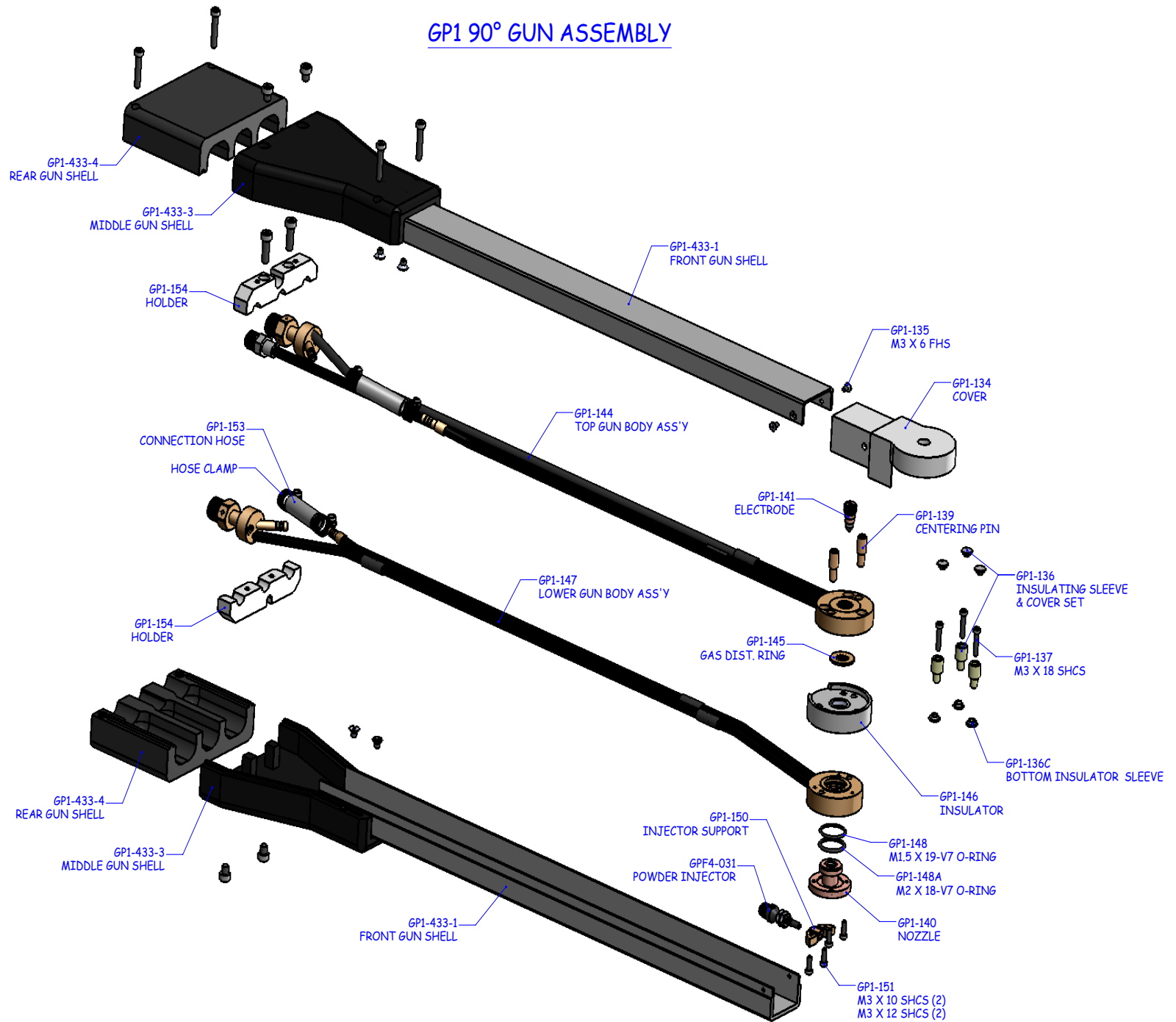
GP9 MACHINE MOUNT GUN ASSEMBLY



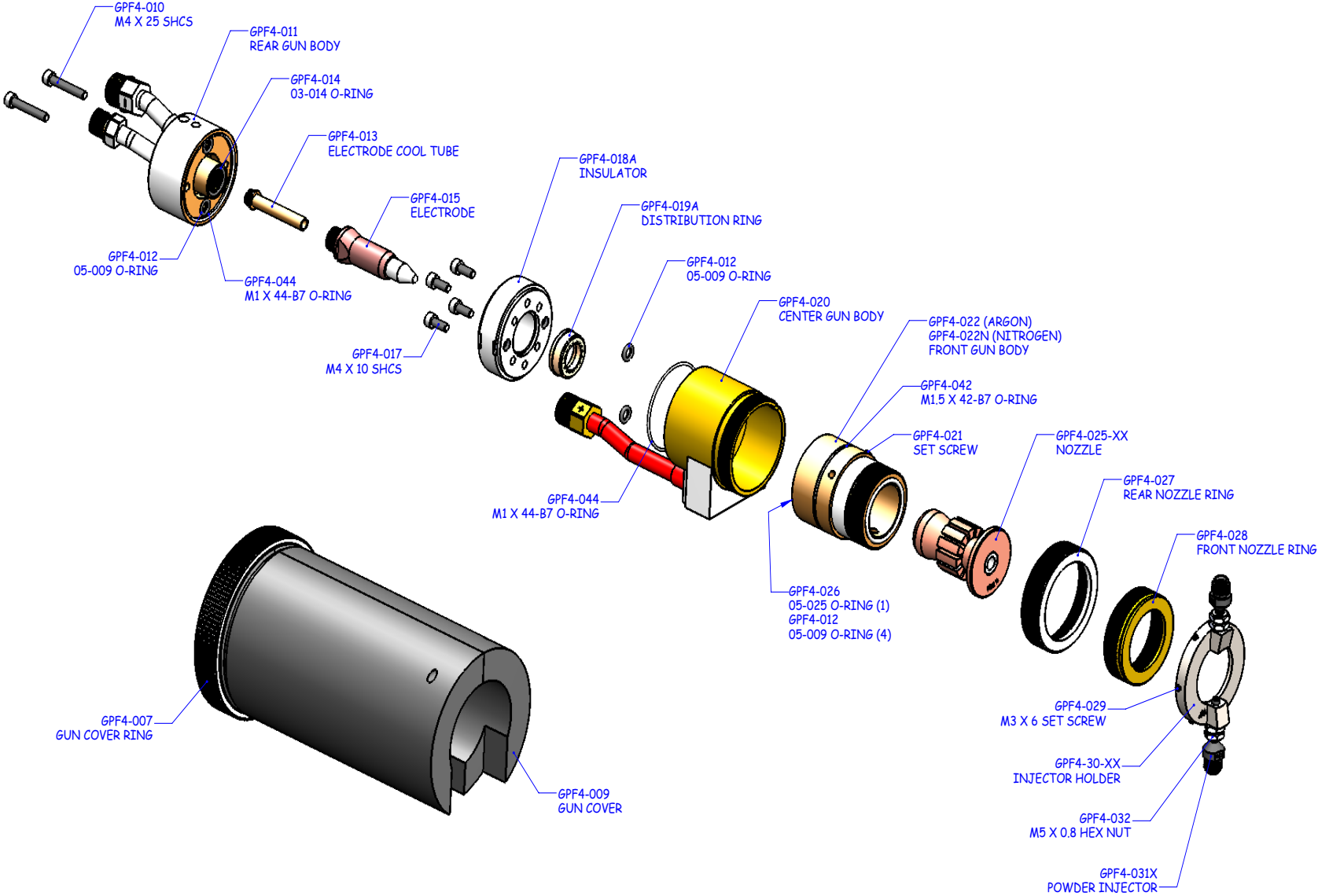
GP1 45° GUN ASSEMBLY



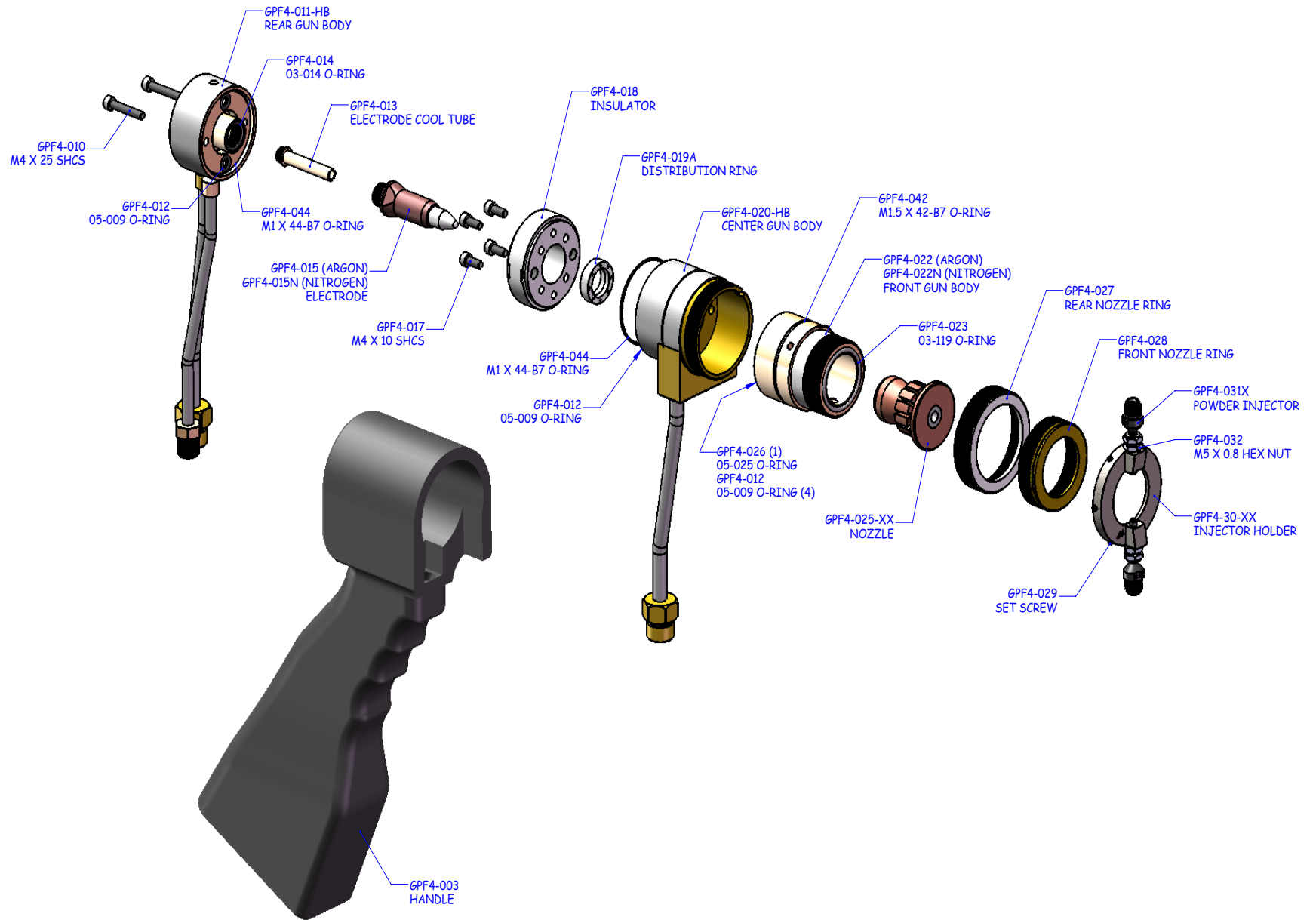
GP1 90° GUN ASSEMBLY



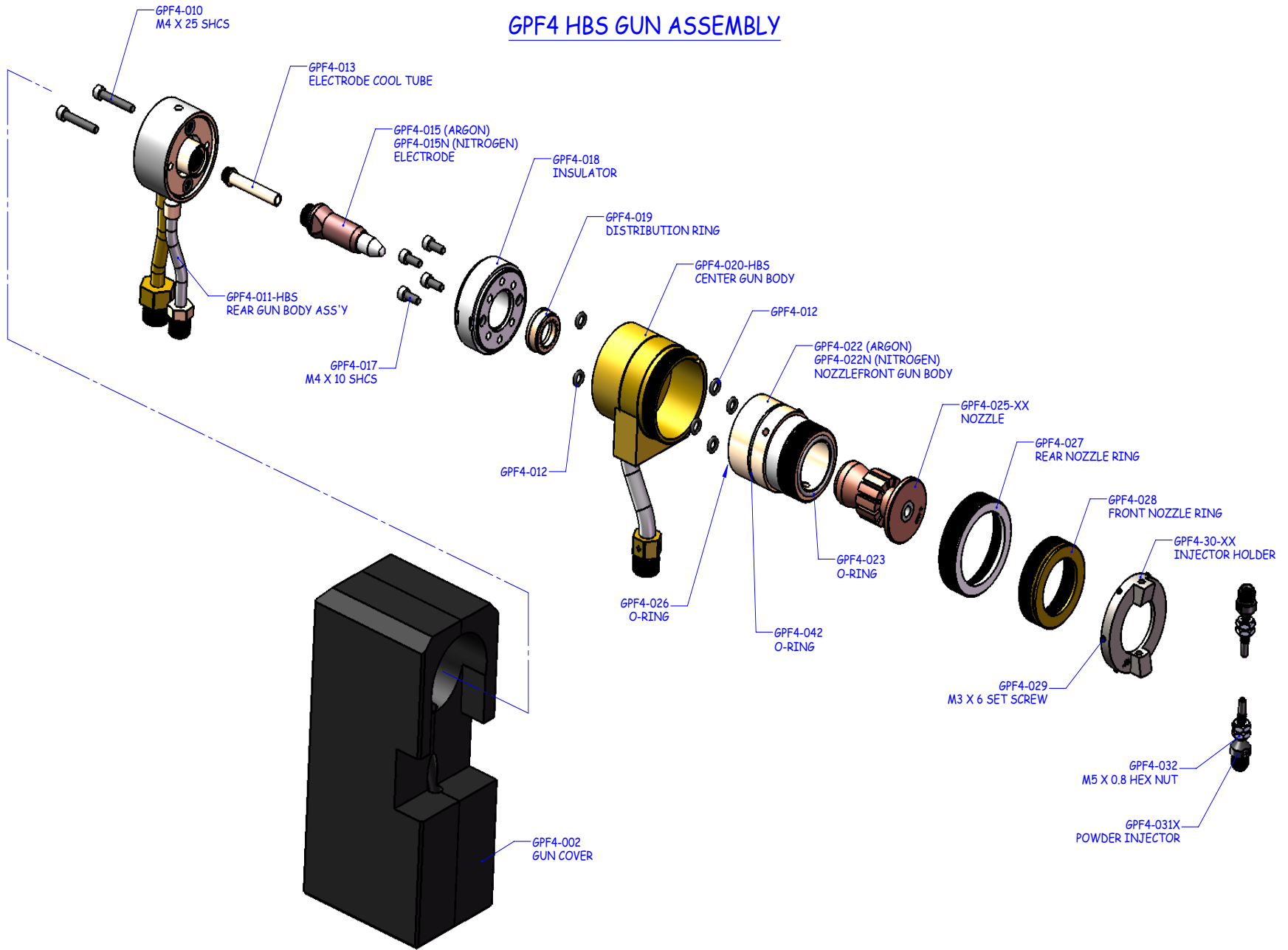
GPF4 MB MACHINE MOUNT GUN ASSEMBLY



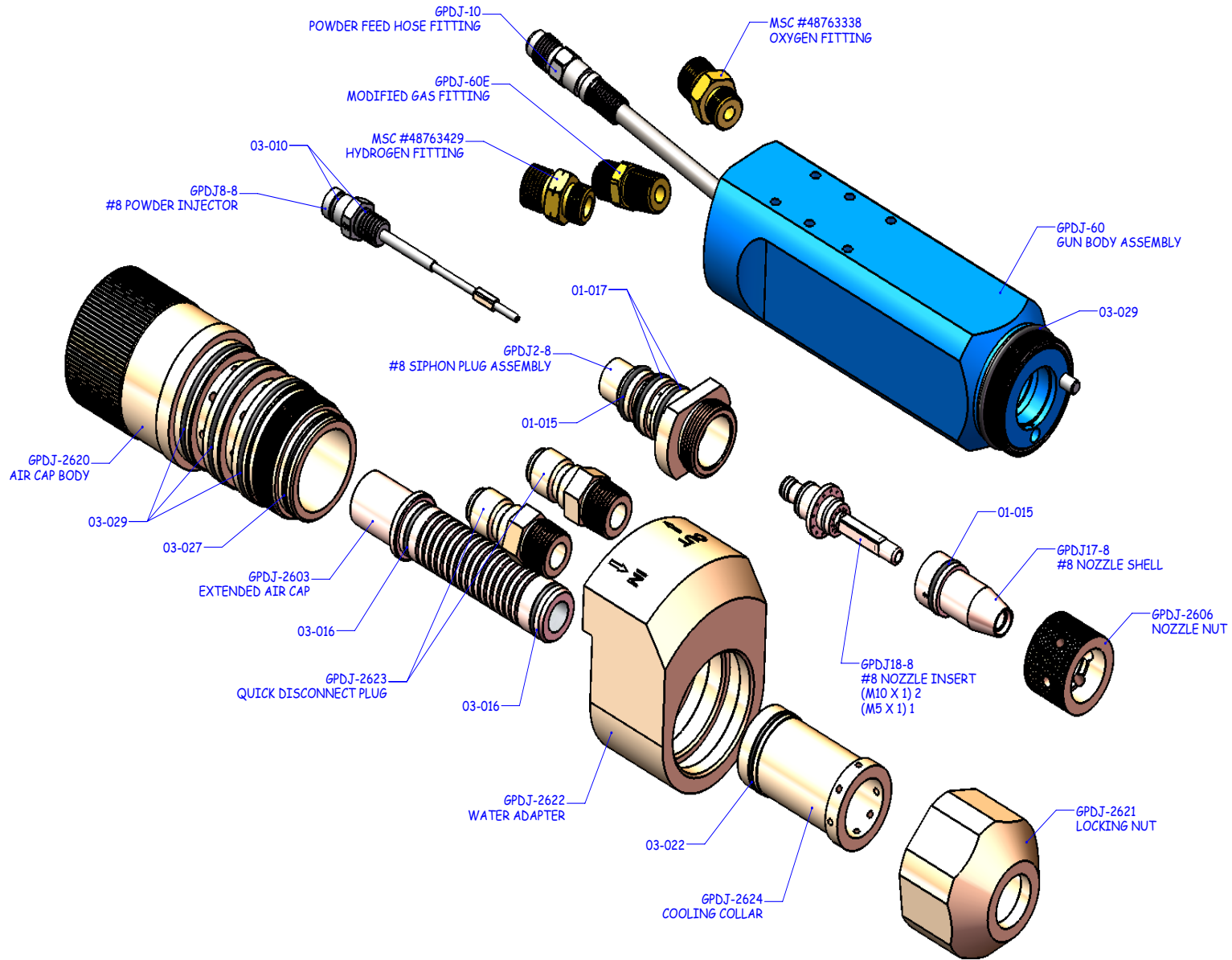
GPF4 HB HAND HELD GUN ASSEMBLY



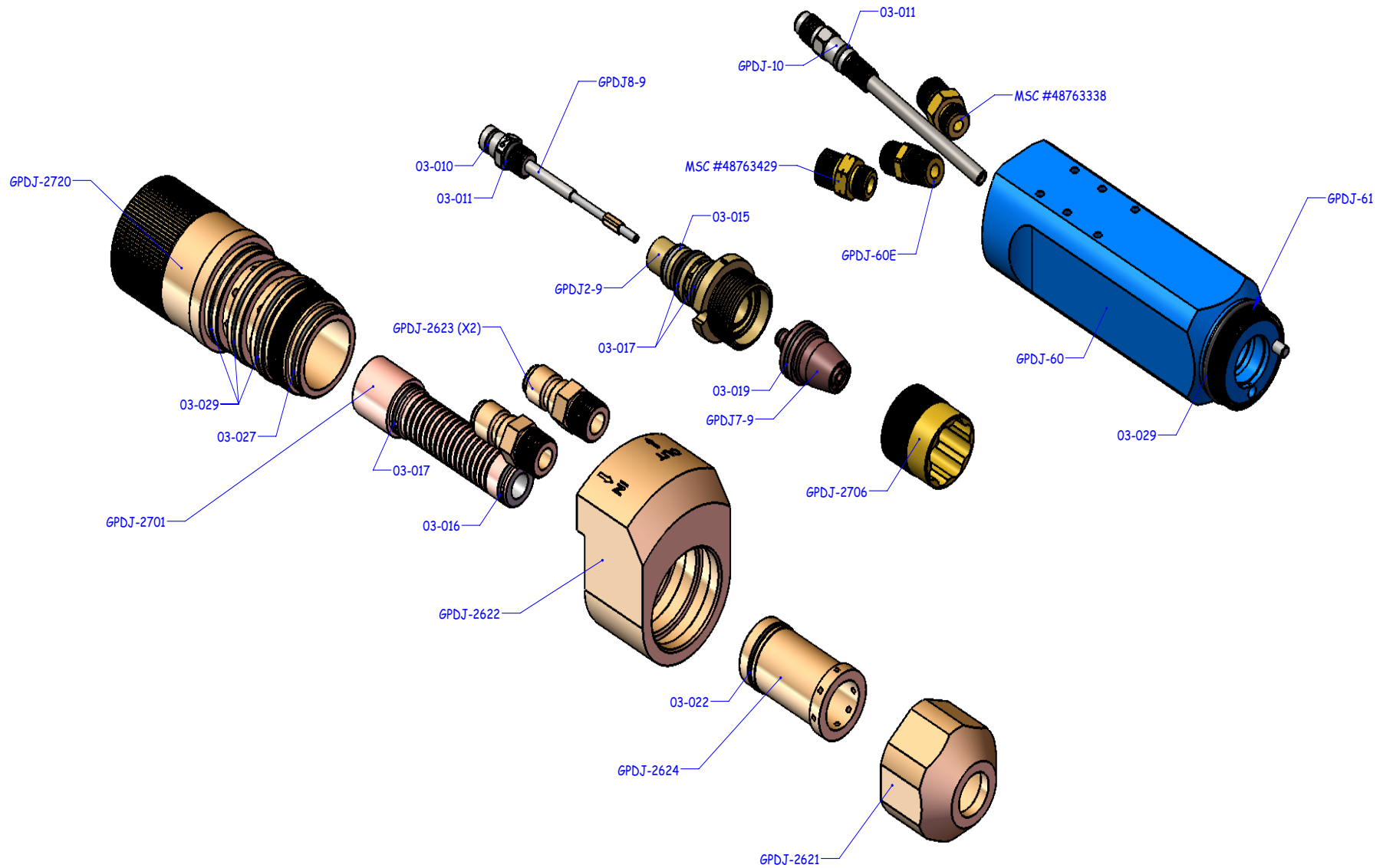
GPF4 HBS GUN ASSEMBLY



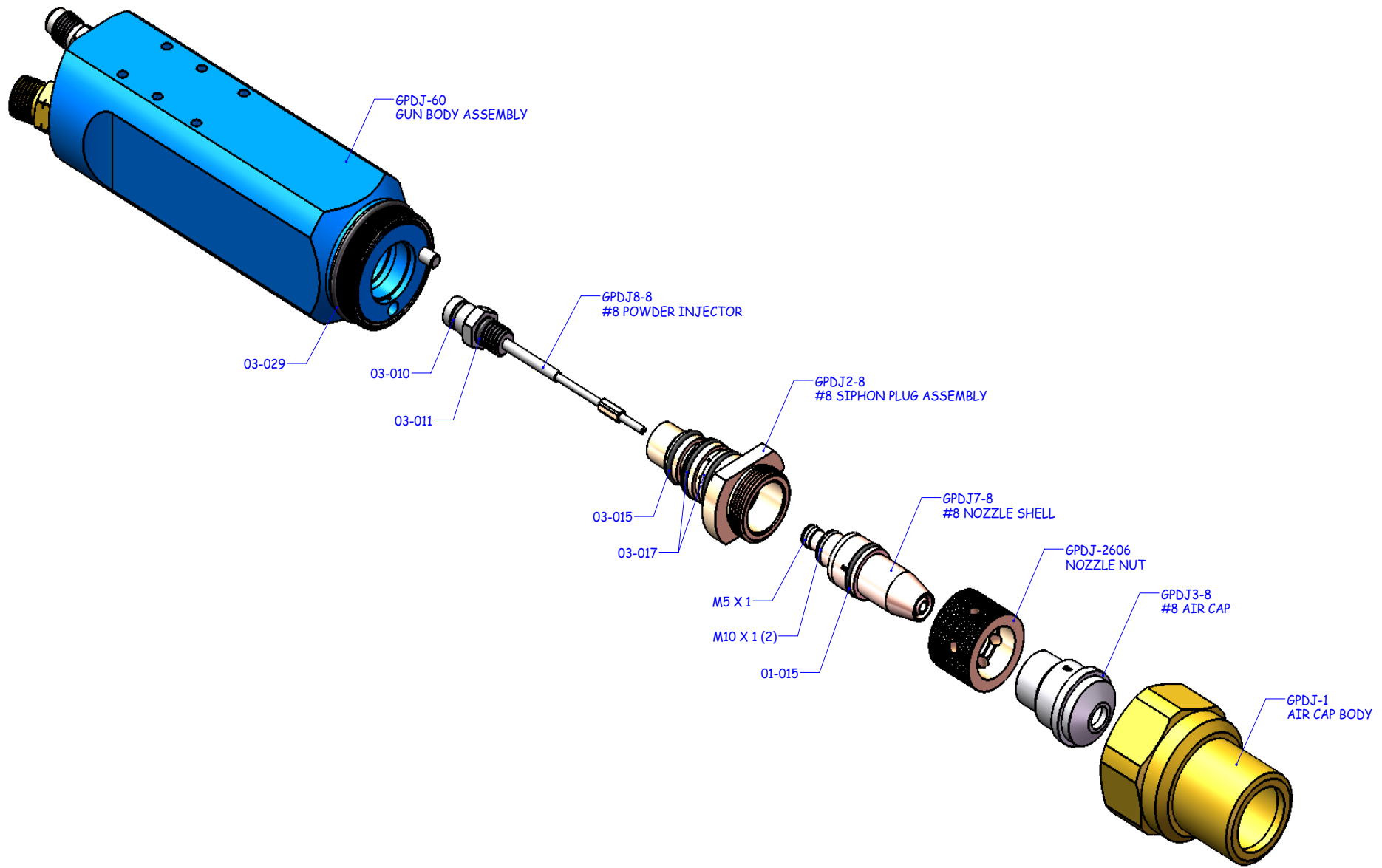
GPDJ 2600 GUN ASSEMBLY



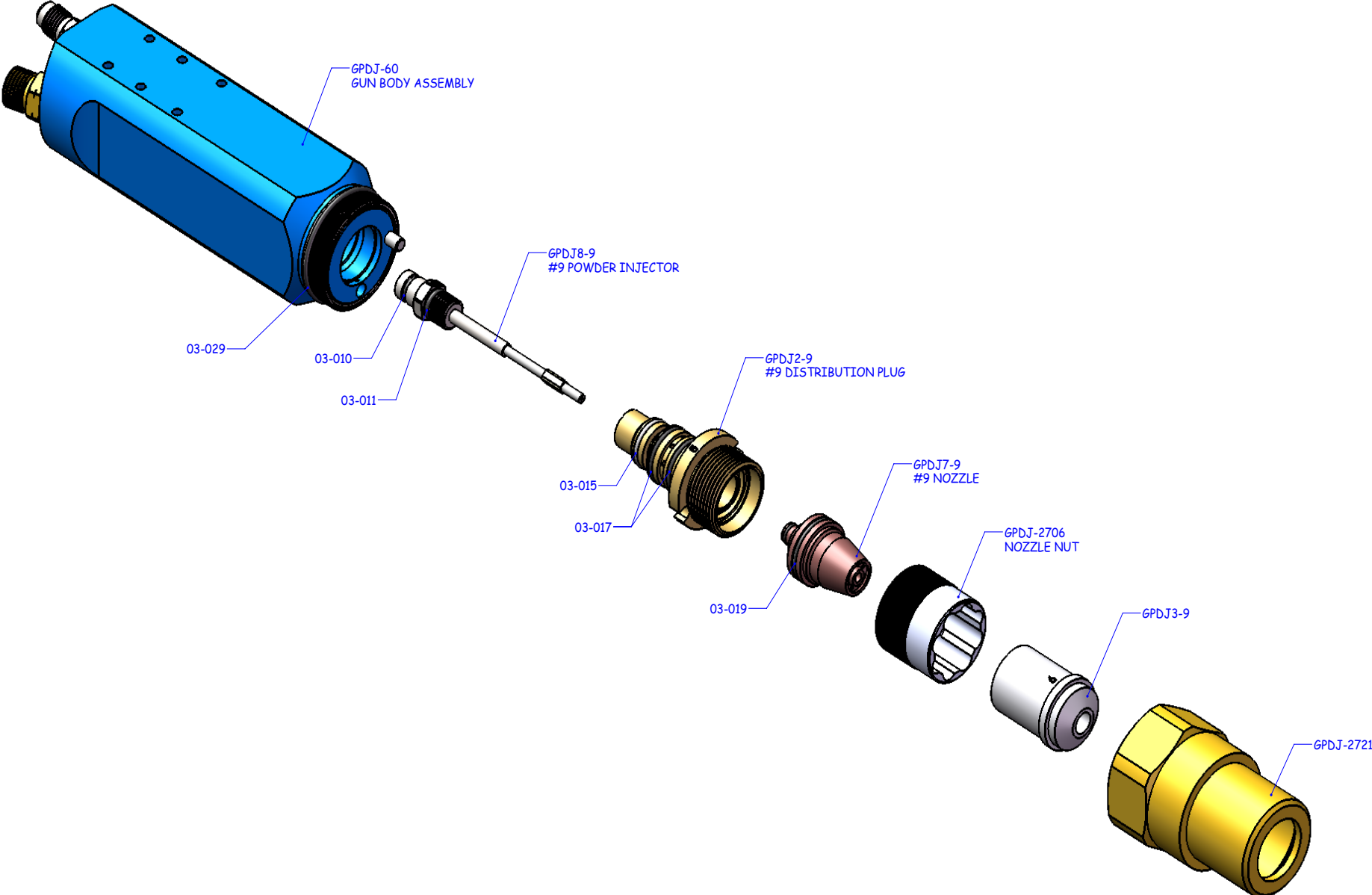
GPDJ-2700 GUN ASSEMBLY



GPDJ GUN-8A



GPDJ GUN-9A



Genie Products Hose List

Genie Products offers a wide variety of hoses and cables in both standard and custom lengths to optimize the function of thermal spray systems. In addition, adaptors can be designed to interface with multiple hose/cable to console configurations. The following list includes standard hose and cable options

Part Number

Description

GP3 STANDARD HOSE ASSEMBLIES

GP3-35	3M Jet Hose
GP3-336	3M Plasma Gas Hose
GP3-394	Nozzle Power Cable (15ft)
GP3-395	Electrode Power Cable (15ft)

GP7 STANDARD HOSE ASSEMBLIES

GP7-H10	Nozzle Power Cable (15ft) additional lengths available
GP7-H20	Electrode Power Cable (15ft) additional lengths available
GP7-H50	7M Plasma Gas hose
GP7-150	Plasma Air Hose

PT STANDARD HOSE ASSEMBLIES

GPF4-035	Nozzle Power Cable (16ft)
GP4-036	Electrode Power Cable (16ft)

3MP STANDARD POWDER HOSE ASSEMBLIES

GP3-516	3MP Powder Hose (6ft)
GP3-516-9	3MP Powder Hose (9ft)
GP3-516-15	3MP Powder Hose (15ft)

4MP STANDARD POWDER HOSE ASSEMBLIES

GP4-195	4MP Powder Hose 3/16 I.D. (9ft)
GP4-200	4MP Powder Hose 3/16 I.D. (30ft)
GP4-335	4MP Powder Hose 3/16 I.D. (15ft)
GP4-194	4MP Powder Hose 1.8 I.D. (9ft)
GP4-200A	4MP Powder Hose 1/8 I.D. (30ft)
GP4-335A	4MP Powder Hose 1/8 I.D. (15ft)
GP4-821	16 inch Braided Powder Hose

GPDJ HOSE ASSEMBLIES

GPDJ-51	Air Hose
GPDJ-55	Fuel Hose
GPDJ-57	High Pressure Fuel Hose
GPDJ-65	Oxygen Hose
GPDJ-67	Oxygen Hose (green)



Praxair Surface Technologies, Inc.
Genie Division
283 Old Rosman Highway
Brevard, NC 28712
USA

Phone: 828-862-4772

Fax: 828-877-3480

www.praxairsurfacetechologies.com

